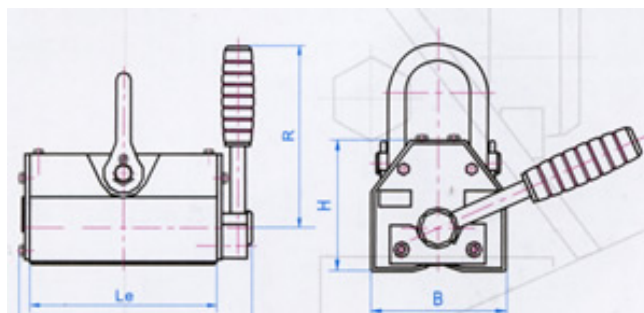


# Permanent Magnet Lifter

Powered by strongest NdFeB Permanent Magnet and with our unique design, our lifter has below features:

- 1, Small and most compact.
- 2, No need of electricity and no dangerous from sudden cut off of electricity.
- 3, No damage to contacting surface of lifted objects.
- 4, The position of magnetism on/off switch is secured by a BUTTON
- 5, With a V shape slot through the center of holding surface, both round and flat steel objects can be lifted
- 6, Safety Factor of all types is 3.5 Minimum.



P/N	Rated Lifting Strength (KG)	Pull-off Strength (KG)	L (mm)	B (mm)	H (mm)	R (mm)	Max Working Temperature (°C)	Weight (KG)
XML-01-01	100	350	62	92	67	126	80	3
XML-01-02	300	1050	92	162	91	155	80	10
XML-01-03	600	2100	122	232	117	196	80	24
XML-01-04	1000	3500	176	258	163	285	80	50
XML-01-05	2000	7000	234	378	212	426	80	125
XML-01-06	3000	10500	286	458	261	521	80	220
XML-01-07	6000	21000	430	600	355	180	80	420

Copy Right 2004 YUXIANG Magnetic Materials Ind. Co.,Ltd. All Rights Reserved  
Add :F/16, Jinyuan plaza, # 57 South Hubin.Rd, Xiamen, CHINA 361004  
Tel : (86)592 2295387 (86)592 2217138 Fax: (86)592 2207122  
Email To Us: [susana@aaamagnet.net](mailto:susana@aaamagnet.net)